

LBS

conveyor belts

CUSTOM MADE
With passion!

A stylized logo of a honey bee, rendered in brown and yellow, positioned to the left of the text.

HONEY
BEE

RUBBER CONVEYOR BELTS

PROFILED

PROBEL[®]

endless in service and innovation



- 3 Introduction
- 4 Our description /
Top cover qualities
- 5 Endless options /
Delivery options /
Areas of application
- 6 HB-L-profiles (17 mm)
- 7 HB-M-profiles (25 mm)
- 8 HB-H-profiles (32 mm)

Introduction

Probelt® offers you together with our new HoneyBee profiles an even larger and high quality line in the field of profiled rubber conveyor belts. The Probelt® line has been designed for various industries such as: Recycling, Road Construction, Mining, Quarrying, Material Handling as well as Forestry, Agri- and Horticulture.

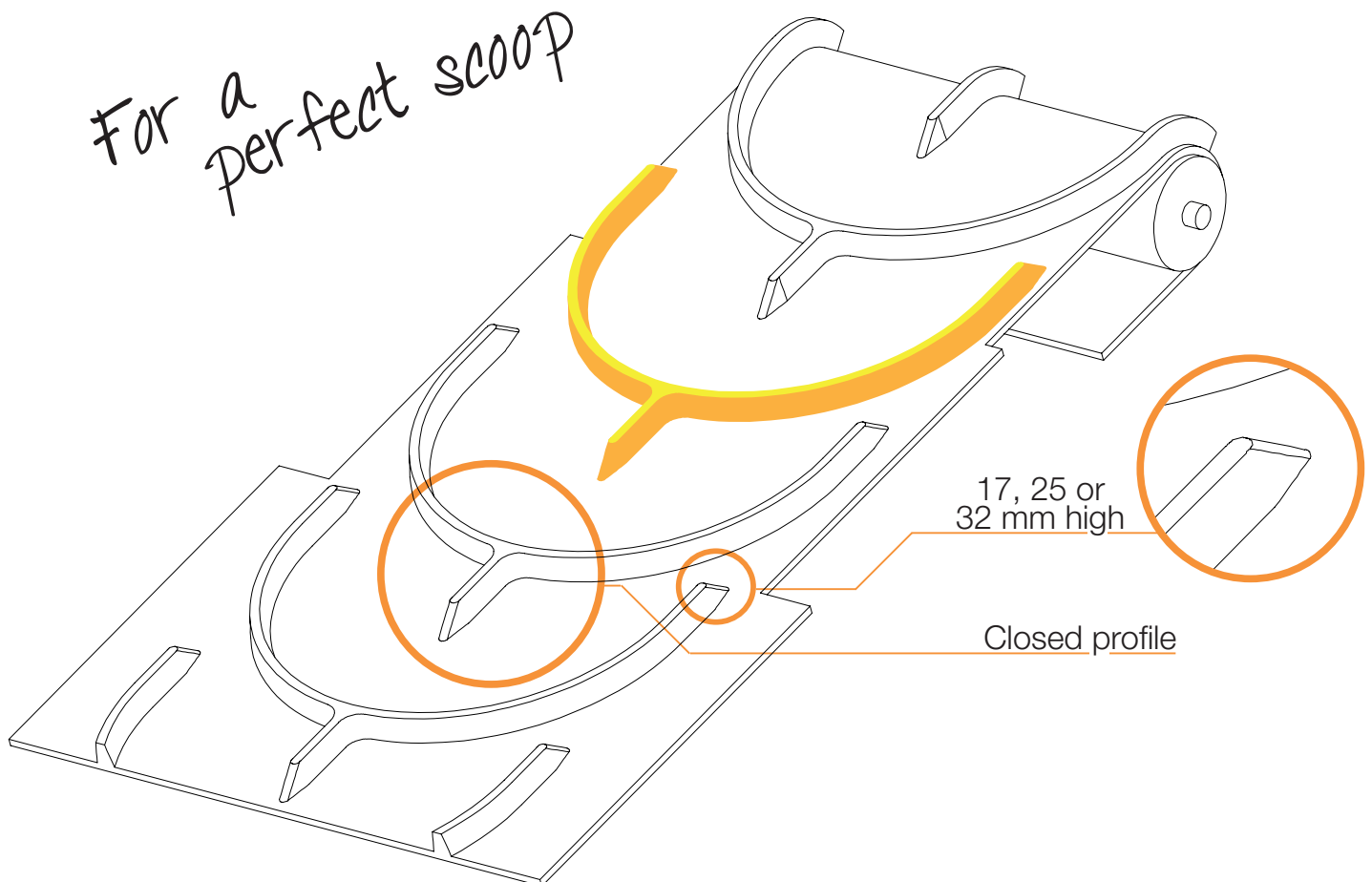
With these new HoneyBee profiles the line of Probelt® profiled rubber conveyor belts of LBS Conveyor Belts is one of the most unique lines available on the market today.

The foundation of this line is over 20 years of experience with the designing and development of profiled rubber conveyor belts together with renowned brands. Due to this, the Probelt® line with the new HoneyBee profiles meets the demand for a full range of profiled rubber conveyor belts for the modern day industry.

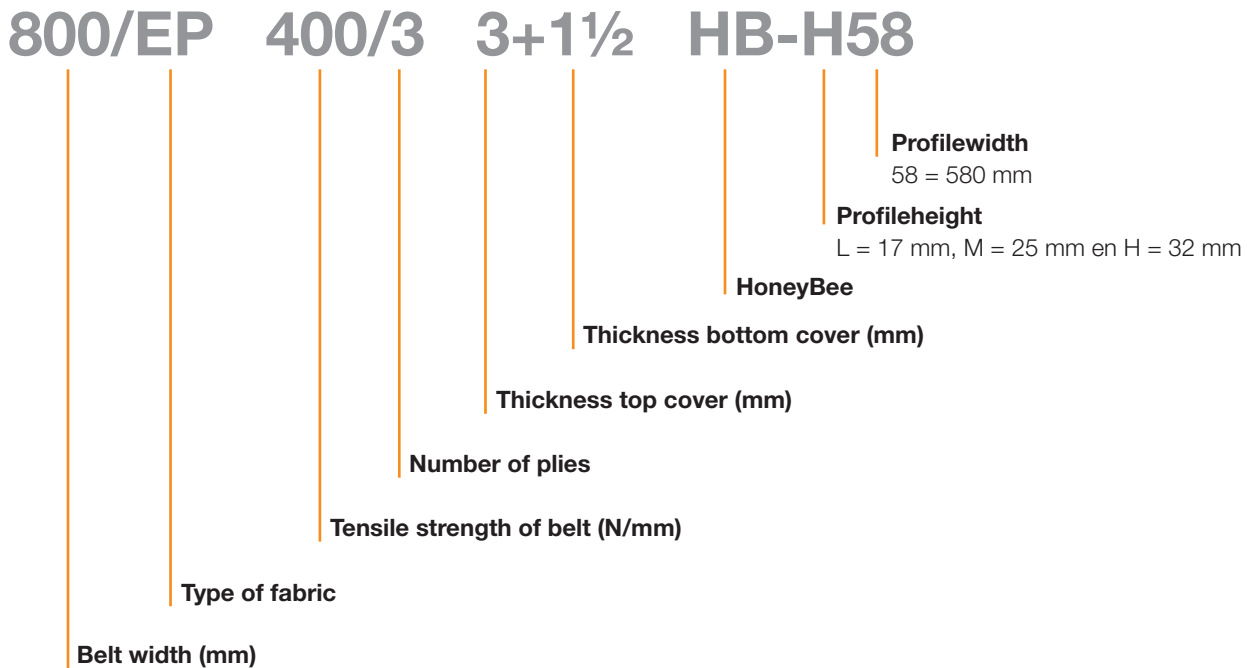
As well as the standard programme, LBS Conveyor Belts has the possibility to offer tailor-made solutions subject to customer specifications (special profiles, top cover qualities, belt constructions, etc.)

For this purpose we develop and innovate together with you!

Go for quality, buy the original!



Our description



Top layer qualities

The standard top layer quality of our profiled Probelt® conveyor belts meets the requirements of DIN Y.

Besides this standard top cover quality, we can offer a variety of top cover qualities according to the table below and, for example, also in MOR (Moderate Oil Resistant) quality.

Cover Quality		Min. Tensile Mpa	Min. Elongation %	Max. Abrasion Loss mm ³
DIN Y	High Strength & Abrasion Resistant	20 ↑	400 ↑	150 ↓
DIN X	Super Strength & Abrasion Resistant	25 ↑	450 ↑	120 ↓
DIN W	Super Abrasion Resistant	18 ↑	400 ↑	90 ↓
DIN K	Flame Resistant & Antistatic	20	400 ↑	200 ↓
SAR	Special Abrasion Resistant	20 ↑	450 ↑	100 ↓
MOR	Moderate Oil Resistant	14 ↑	400 ↑	250 ↓

DIN Y standard, other top cover qualities on request

Making the belts endless

LBS Conveyor Belts can make your conveyor belt endless using the following standard methods.

- Hot vulcanised
 - With preservation of profile
- Mechanical fasteners
 - Steel
 - Stainless steel
 - Anti magnetic

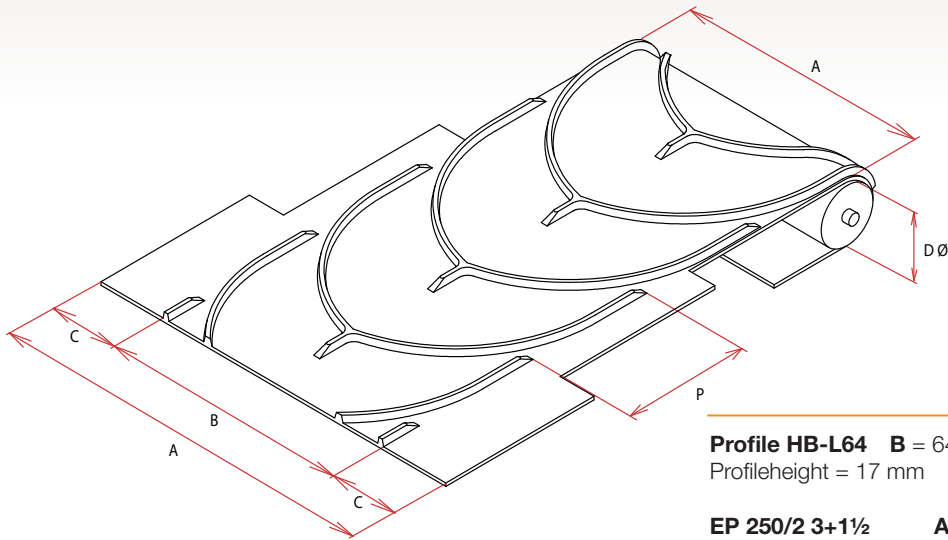
Delivery options

- Full rolls
 - L-profiles ca. 160 m roll length
 - M- and H-profiles ca. 120 m roll length
- Partial lengths



Areas of application

- Cement and lime factories
- Sand and Stone quarries
- Agriculture: beetroot, grain, potatoes, onions, artificial fertilizers, etc.
- Coal and cokes
- Salt industry
- Wood processing industry
- Bags and bales
- Various bulk goods
- Mobile/stationary Crushing and Screening installations
- Transport and logistics
- Road construction
- etc.



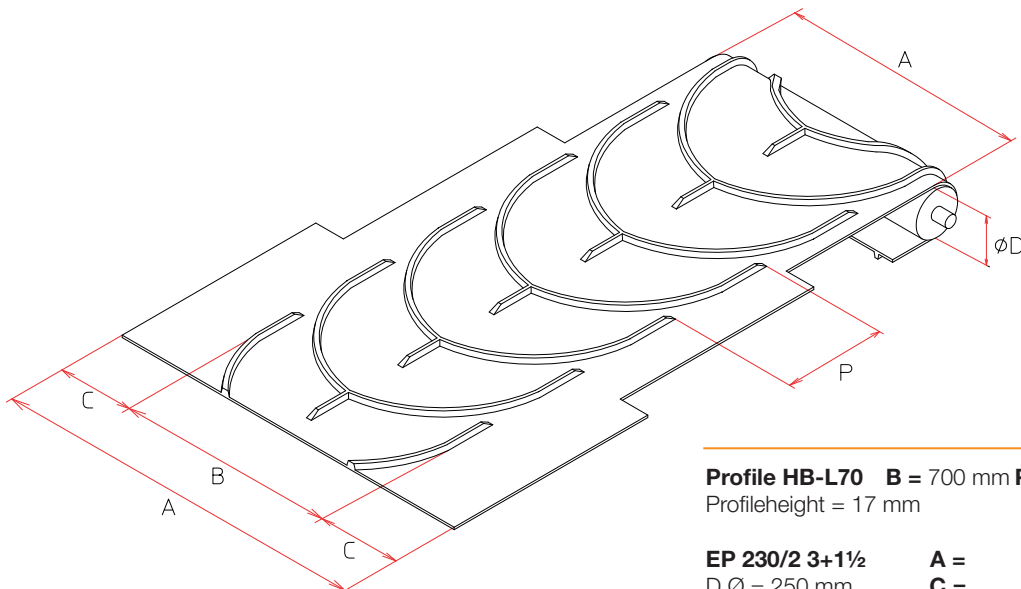
Profile HB-L64

Profile HB-L64 B = 640 mm P = 330 mm
 Profileheight = 17 mm

EP 250/2 3+1½	A =	650	800	1.000
D Ø = 250 mm	C =	5	80	180
	kg/m1	6,3	7,5	9,0

EP 400/3 3+1½	A =	650	800	1.000
D Ø = 300 mm	C =	5	80	180
	kg/m1	7,0	8,2	10,0

Other qualities, belt widths and belt constructions upon request
 Max. belt width 1.000 mm



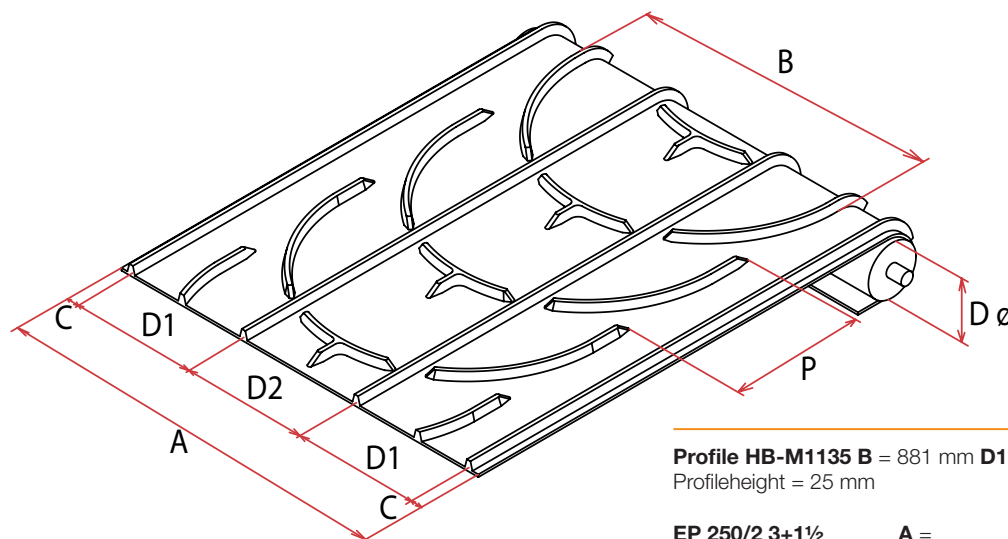
Profil HB-L70

Profile HB-L70 B = 700 mm P = 330 mm
 Profileheight = 17 mm

EP 230/2 3+1½	A =	800	1.000	1.200
D Ø = 250 mm	C =	50	150	250
	Kg/m1	7,8	9,4	11,0

EP 400/3 3+1½	A =	800	1.000	1.200
D Ø = 300 mm	C =	50	150	250
	Kg/m1	8,5	10,7	12,9

Other qualities, belt widths and belt constructions upon request
 Max. belt width 1.200 mm

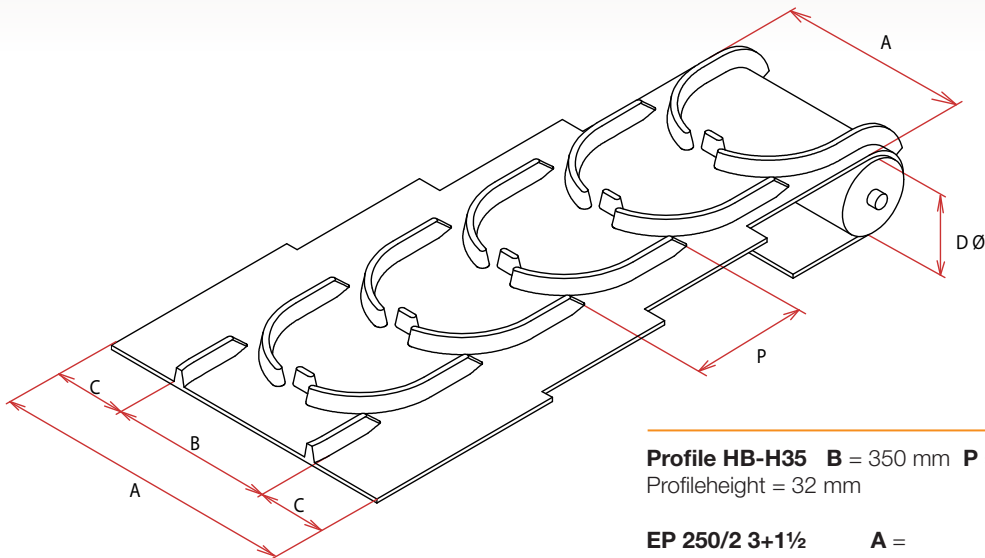


Profile HB-M1135

Profile HB-M1135 B = 881 mm D1 = 378 mm D2 = 379 mm P = 400 mm
Profileheight = 25 mm

EP 250/2 3+1½	A =	1.200	1.400
D Ø = 300 mm	C =	32,5	132,5
	kg/m1	14,9	16,5
EP 400/3 4+2	A =	1.200	1.480
D Ø = 315 mm	C =	32,5	132,5
	kg/m1	16,5	18,7
EP 400/3 4+2 MOR	A =	1.200	1.400
D Ø = 315 mm	C =	32,5	132,5
	kg/m1	18,0	20,2
XE 400/3 4+2	A =	1.200	1.400
D Ø = 315 mm	C =	32,5	132,5
	kg/m1	19,5	22,0
EP 500/3+1ST 5+3	A =	1.200	1.400
D Ø = 500 mm	C =	32,5	132,5
	kg/m1	24,0	27,4

Other qualities, belt widths and belt constructions upon request
Max. belt width 1.400 mm



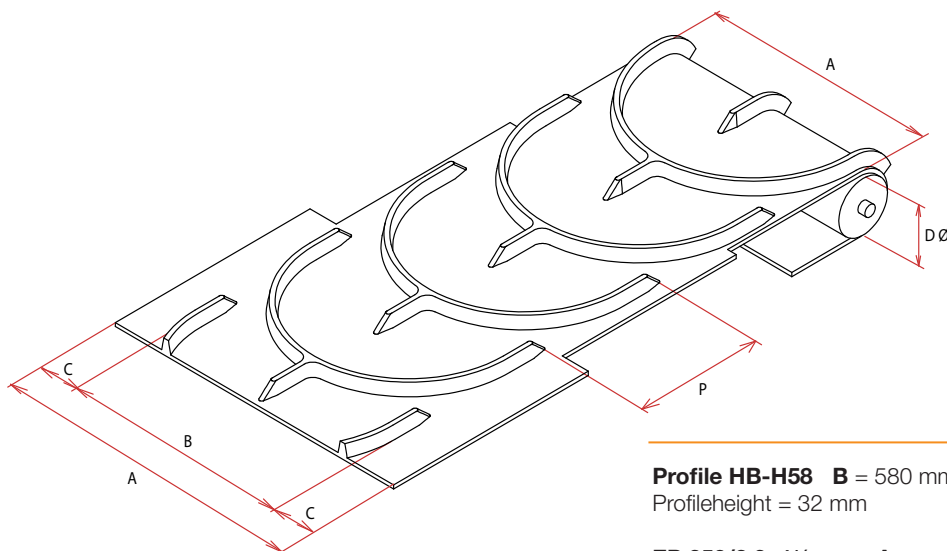
Profile HB-H35

Profile HB-H35 B = 350 mm P = 250 mm
 Profileheight = 32 mm

EP 250/2 3+1½ D Ø = 300 mm	A =	400	500	600	650	800
	C =	25	75	125	150	225
	kg/m1	5,2	5,8	6,8	7,1	8,40

EP 400/3 3+1½ D Ø = 315 mm	A =	400	500	600	650	800
	C =	25	75	125	150	225
	kg/m1	5,7	6,5	7,6	8	9,5

Other qualities, belt widths and belt constructions upon request
 Max. belt width 800 mm



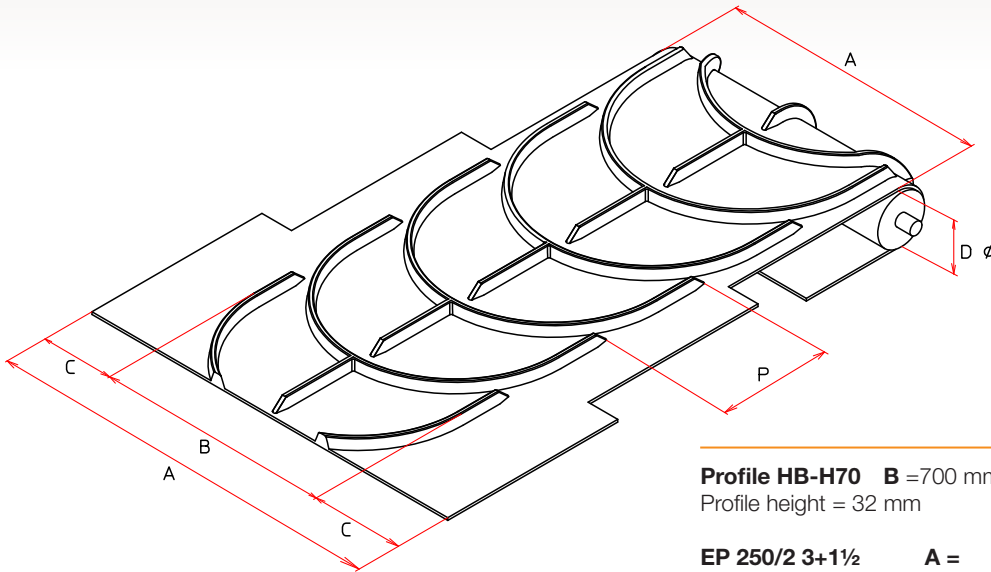
Profile HB-H58

Profile HB-H58 B = 580 mm P = 330 mm
 Profileheight = 32 mm

EP 250/2 3+1½ D Ø = 300 mm	A =	600	650	800	1.000	1.200
	C =	10	35	110	210	310
	kg/m1	7,4	7,8	9,0	10,6	13,2

EP 400/3 3+1½ D Ø = 315 mm	A =	600	650	800	1.000	1.200
	C =	10	35	110	210	310
	kg/m1	7,9	8,3	9,5	11,7	13,9

Other qualities, belt widths and belt constructions upon request
 Max. belt width 1.500 mm



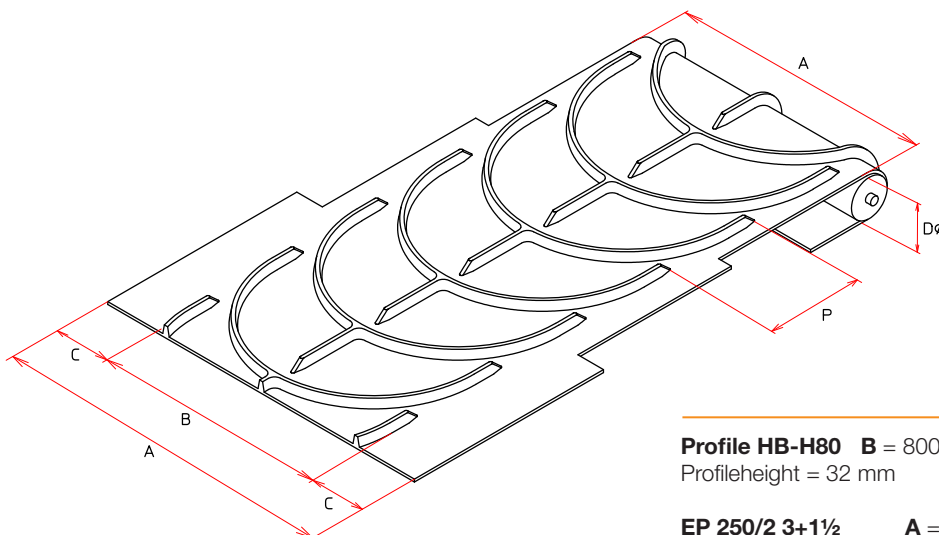
Profile HB-H70

Profile HB-H70 B = 700 mm P = 330 mm
Profile height = 32 mm

EP 250/2 3+1½ D Ø = 315 mm	A =	800	1000	1200
	C =	50	150	250
	kg/m1	9,5	11,2	12,9

EP 400/3 3+1½ D Ø = 315 mm	A =	800	1000	1200
	C =	50	150	250
	kg/m1	10,0	11,9	13,8

Other qualities, belt widths and belt constructions upon request
Max. belt width 1.200 mm



Profile HB-H80

Profile HB-H80 B = 800 mm P = 330 mm
Profileheight = 32 mm

EP 250/2 3+1½ D Ø = 300 mm	A =	1.000	1.200	1.400
	C =	100	200	300
	kg/m1	11,0	12,3	13,8

EP 400/3 3+1½ D Ø = 315 mm	A =	1.000	1.200	1.400
	C =	100	200	300
	kg/m1	12,0	14,0	16,0

Other qualities, belt widths and belt constructions upon request
Max. belt width 1.500 mm

PROBELL[®]

hotcleat[®]
POWERED BY LBS

Ecocleat[®]
BY LBS

MultiCutter[®]
BY LBS

Synthetic conveyor belts
Rubber conveyor belts
Synthetic modular belts and chains
Drive, timing and round belts
Synthetic gauze belts
Special endless belts
Components for belt conveyors
Technical rubber and synthetics
Service, installation and maintenance



endless in service and innovation



LBS
conveyor belts
CUSTOM MADE
with passion!

LBS Conveyor Belts BV
Phileas Foggstraat 48
NL-7825 AL Emmen
The Netherlands

Phone +31 (0)591 668220
Fax +31 (0)591 668239
Internet www.lbs.cc
E-mail info@lbs.cc

The text and material published in this brochure serve a purely informative purpose, and have no official or legal status in the form they are published here. For further information please contact us.
00.828.890-Version 3