

# LBS

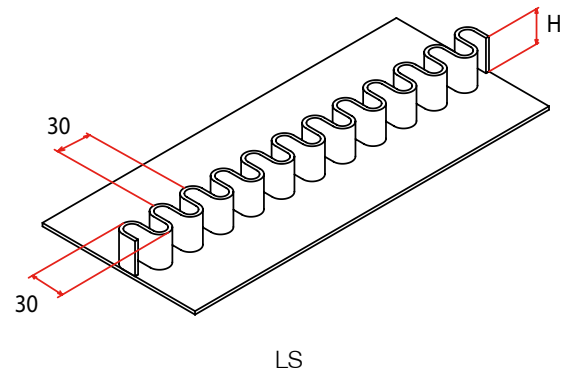
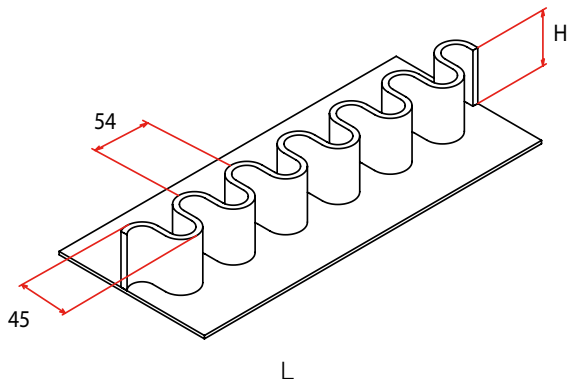
conveyor belts



SYNTHETIC CONVEYOR BELTS  
SIDEWALLS AND LONGITUDUAL EDGES

endless in service and innovation

## Sidewalls



## Sidewalls

Type	Height	PVC		PU		PE		Min. Pulley $\phi$
		Thickness	Colors	Thickness	Colors	Thickness	Colors	
<b>L20</b>	20 mm	5 mm	■ ■ □ ■	3 mm	□ ■	2,5 mm	■	60 mm
<b>LS20</b>	20 mm	4 mm	■ ■ □ ■	3 mm	□ ■	2,5 mm	■	40 mm
<b>L30</b>	30 mm	5 mm	■ ■ □ ■	3 mm	□ ■	2,5 mm	■	90 mm
<b>LS30</b>	30 mm	4 mm	■ ■ □ ■	3 mm	□ ■	2,5 mm	■	60 mm
<b>L40</b>	40 mm	5 mm	■ ■ □ ■	3 mm	□ ■	2,5 mm	■	120 mm
<b>LS40</b>	40 mm	4 mm	■ ■ □ ■	3 mm	□ ■	2,5 mm	■	80 mm
<b>L50</b>	50 mm	5 mm	■ ■ □ ■	3 mm	□ ■	2,5 mm	■	150 mm
<b>LS50</b>	50 mm	4 mm	■ ■ □ ■	3 mm	□ ■	2,5 mm	■	100 mm
<b>L60</b>	60 mm	5 mm	■ ■ □ ■	3 mm	□ ■	2,5 mm	■	180 mm
<b>LS60</b>	60 mm	4 mm	■ ■ □ ■	3 mm	□ ■	2,5 mm	■	120 mm
<b>L70</b>	70 mm	5 mm	■ ■ □ ■	3 mm	□ ■	2,5 mm	■	210 mm
<b>L80</b>	80 mm	5 mm	■ ■ □ ■	3 mm	□ ■	2,5 mm	■	240 mm
<b>L100</b>	100 mm	5 mm	■ ■ □ ■	3 mm	□ ■			300 mm
<b>L120</b>	120 mm	5 mm	■ ■ □ ■	3 mm	□ ■			360 mm

PVC: one fabric inlay

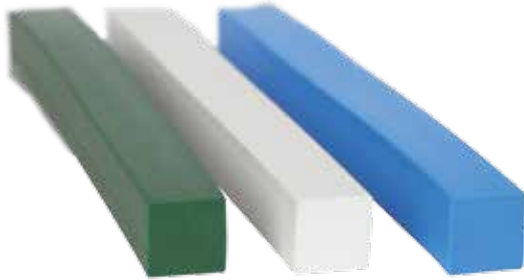
PU/PE: without fabric

PVC (white & blue), PU & PE suitable for unpackaged food

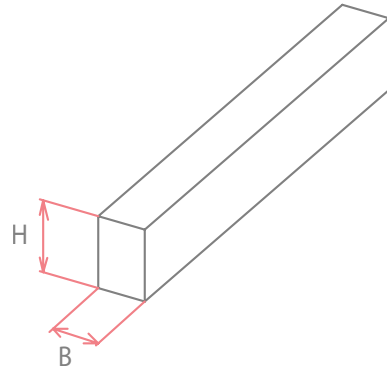
Minimum pulley diameter is also determined by the basebelt

Other confection possibilities and colors on request

## Block guides PVC



Block guides



## Block guides PVC

Type	Height (H)	Width (B)	Available colors	Min. Pulley $\phi$
<b>BG10x10</b>	10 mm	10 mm	■ ■ ■ ■	100 mm
<b>BG15x15</b>	15 mm	15 mm	■ ■ ■ ■	150 mm
<b>BG20x15</b>	20 mm	15 mm	■ ■ ■ ■	200 mm
<b>BG25x15</b>	25 mm	15 mm	■ ■ ■ ■	250 mm
<b>BG30x15</b>	30 mm	15 mm	■ ■ ■ ■	300 mm

White and blue are suitable for unpackaged food

BG (coated): 55° Shore A. Other hardness on request

Minimum pulley diameter is also determined by the basebelt

Other confection possibilities and colors on request

## T20



**Type:** T20

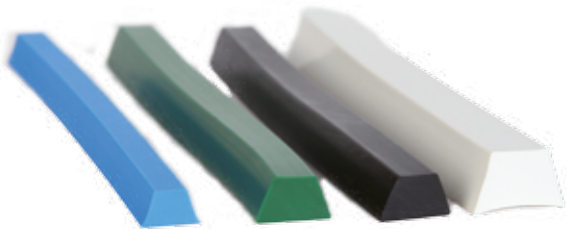
**Height:** 20 mm

**Available colors:** ■

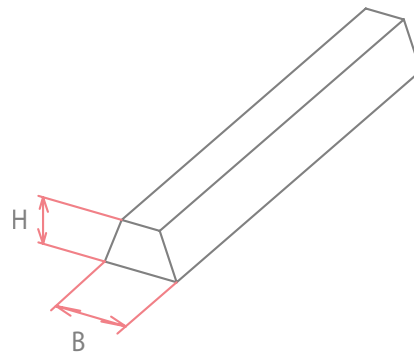
**Min. Pulley  $\phi$ :** 150 mm

Minimum pulley diameter is also determined by the basebelt.  
Other confection possibilities and colours on request

## V-guides PVC



V-guides



## V-guides PVC

Type	Height (H)	Width (B)	PVC Available colors	Min. Pulley Ø
<b>V6x4</b>	4 mm	6 mm	■ ■ ■ ■	50 mm
<b>V8x5</b>	5 mm	8 mm	■ ■ ■ ■	60 mm
<b>V10x6</b>	6 mm	10 mm	■ ■ ■ ■	80 mm
<b>V13x8</b>	8 mm	13 mm	■ ■ ■ ■	100 mm
<b>V17x11</b>	11 mm	17 mm	■ ■ ■ ■	120 mm

White and blue are suitable for unpackaged food  
 Minimum pulley diameter is also determined by the basebelt  
 Other confection possibilities and colors on request

## V-guides PU

Type	Height (H)	Width (B)	PU Available colors	Min. Pulley Ø
<b>V6x4</b>	4 mm	6 mm	■ □	50 mm
<b>V8x5</b>	5 mm	8 mm	■ □	60 mm
<b>V10x6</b>	6 mm	10 mm	■ □	80 mm
<b>V13x8</b>	8 mm	13 mm	■ □	100 mm
<b>V15x8</b>	8 mm	15 mm	■ □	100 mm
<b>V17x11</b>	11 mm	17 mm	■ □	140 mm

White and blue are suitable for unpackaged food  
 Minimum pulley diameter is also determined by the basebelt  
 Other confection possibilities and colors on request

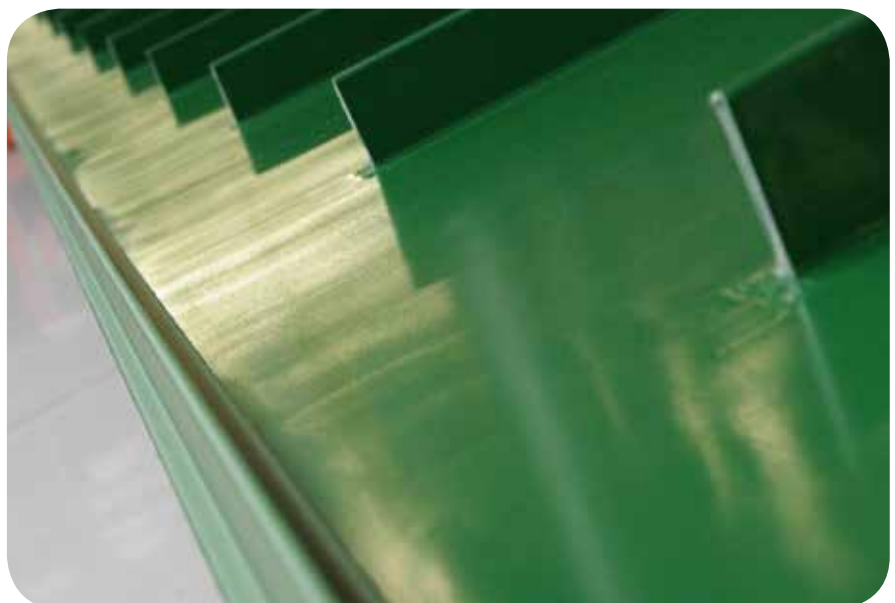
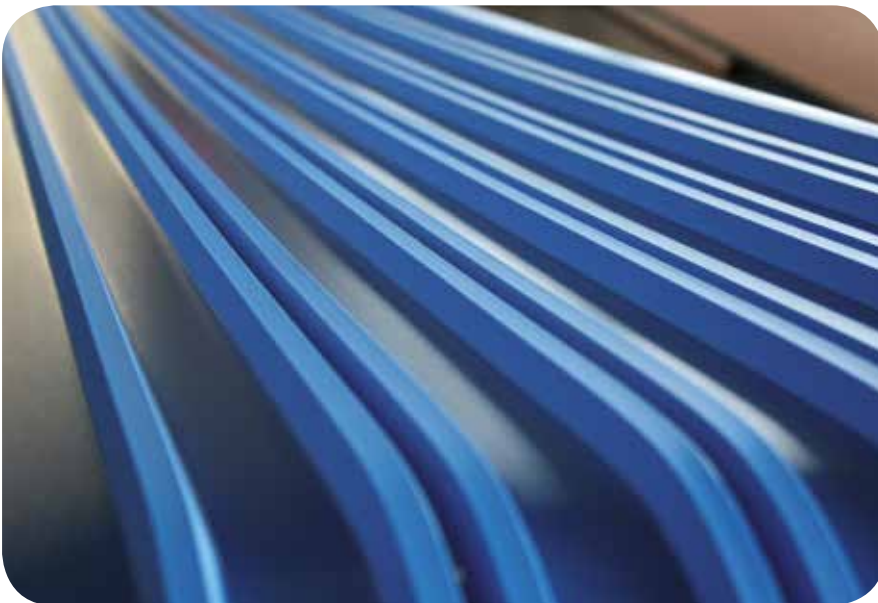
## V-guides PE

Type	Height (H)	Width (B)	PE Available colors	Min. Pulley Ø
<b>V6x4</b>	4 mm	6 mm	<input type="checkbox"/>	50 mm
<b>V8x5</b>	5 mm	8 mm	<input type="checkbox"/>	60 mm
<b>V10x6</b>	6 mm	10 mm	<input type="checkbox"/>	80 mm
<b>V13x8</b>	8 mm	13 mm	<input type="checkbox"/>	100 mm
<b>V17x11</b>	11 mm	17 mm	<input type="checkbox"/>	120 mm

Suitable for unpackaged food

Minimum pulley diameter is also determined by the basebelt

Other confection possibilities and colors on request



**PROBEL**<sup>®</sup>

**hotcleat**<sup>®</sup>  
POWERED BY LBS

**Ecocleat**<sup>®</sup>  
BY LBS

**MultiCutter**<sup>®</sup>  
BY LBS

Synthetic conveyor belts  
Rubber conveyor belts  
Synthetic modular belts and chains  
Drive, timing and round belts  
Synthetic gauze belts  
Special endless belts  
Components for belt conveyors  
Technical rubber and synthetics  
Service, installation and maintenance



endless in service and innovation



**LBS**  
conveyor belts

LBS Emmen bv  
Phileas Foggstraat 48  
NL-7825 AL Emmen  
The Netherlands

Phone +31 (0)591 668220  
Fax +31 (0)591 668239  
Internet [www.lbs.cc](http://www.lbs.cc)  
E-mail [info@lbs.cc](mailto:info@lbs.cc)

The text and material published in this brochure serve a purely informative purpose, and have no official or legal status in the form they are published here. For further information please contact us.  
00.465.466 Version 1